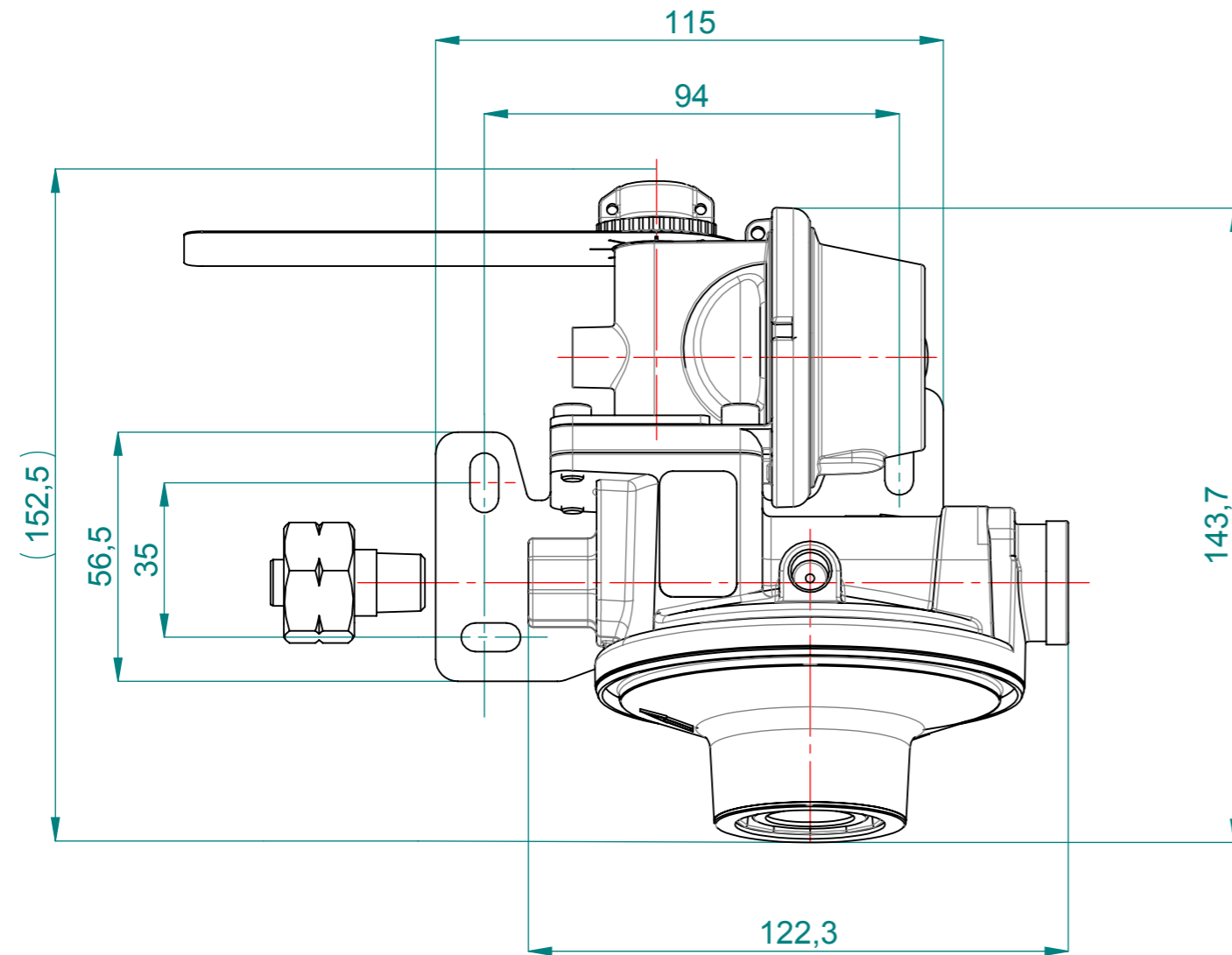
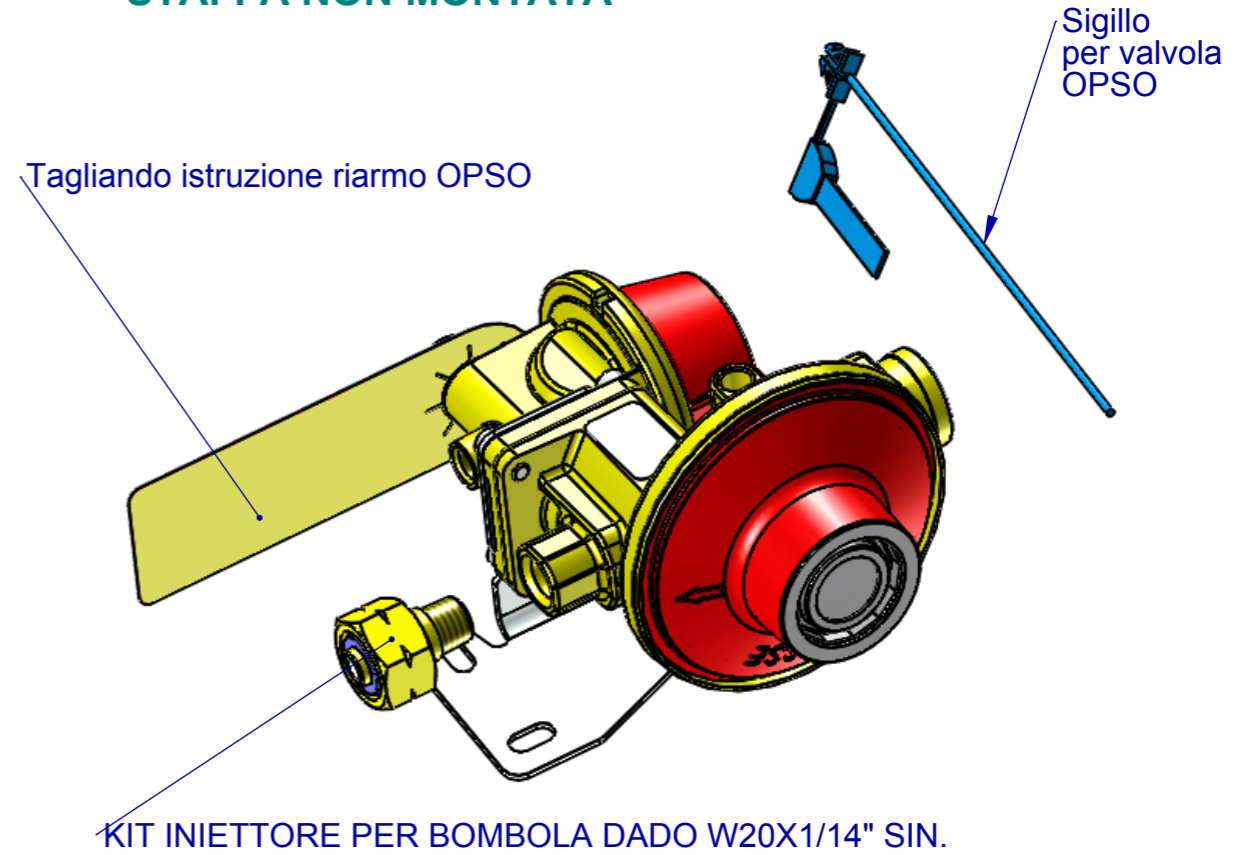



STAFFA NON MONTATA



Adhesive label



	Updated adhesive label				Study	OL7500	ST
Date	Modifications				Status	Validated by	N° DT / OL Modified by
Material	-						
Treatment					Date	09/07/2014	
Weight	1014.25 g	Design.	BA	Scale	1:2	A3	
Designation	BP2233-37MBAR+E25+STAFFA				Article code	006828AE	
							Ind B

