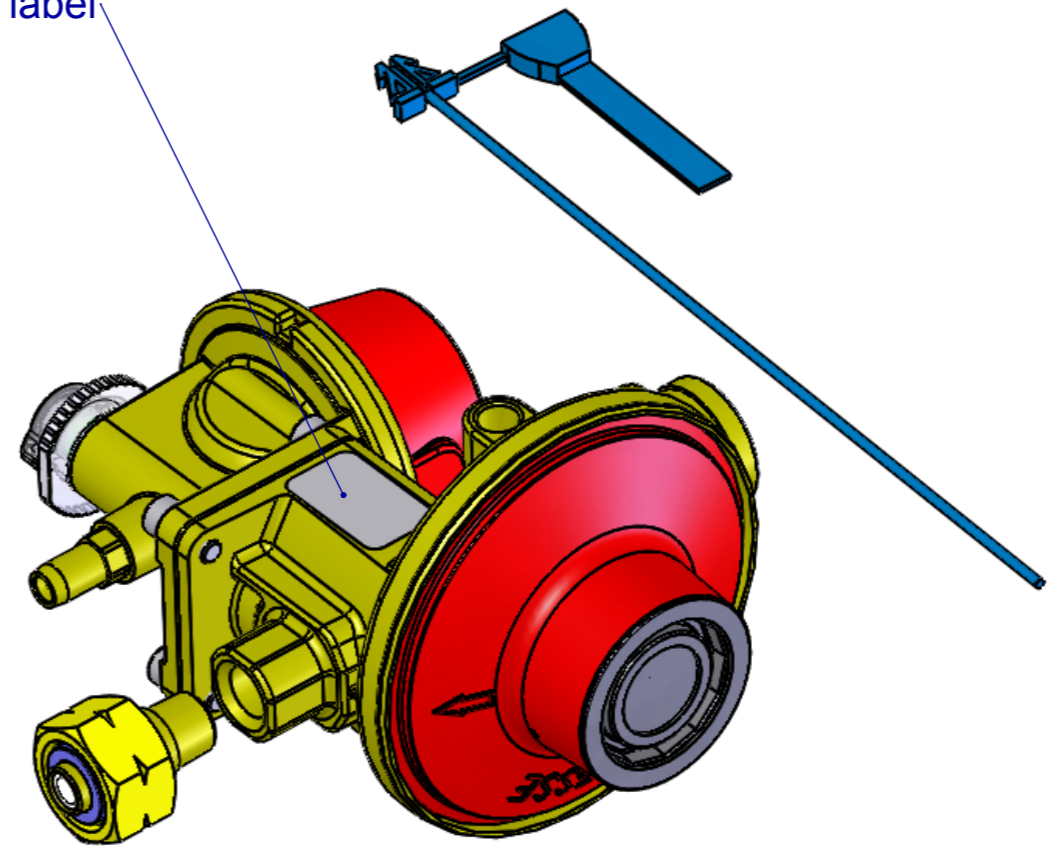



Adhesive label



	<b>Agg. filtro, targhetta opso ed etichetta</b>				<b>Study</b>		<b>OI7500</b>	<b>ST</b>
Date	Modifications				Status	Validated by	N° DT / OL	Modified by
Material	-							
Treatment					Date 13/01/2011			
Weight	926.37 g	Design.	pro	Scale	A3			
Designation	<b>BP2233 - RP1/4 - RC1/2 - 29MB</b>				Article code <b>006828AB</b>			Ind <b>C</b>

