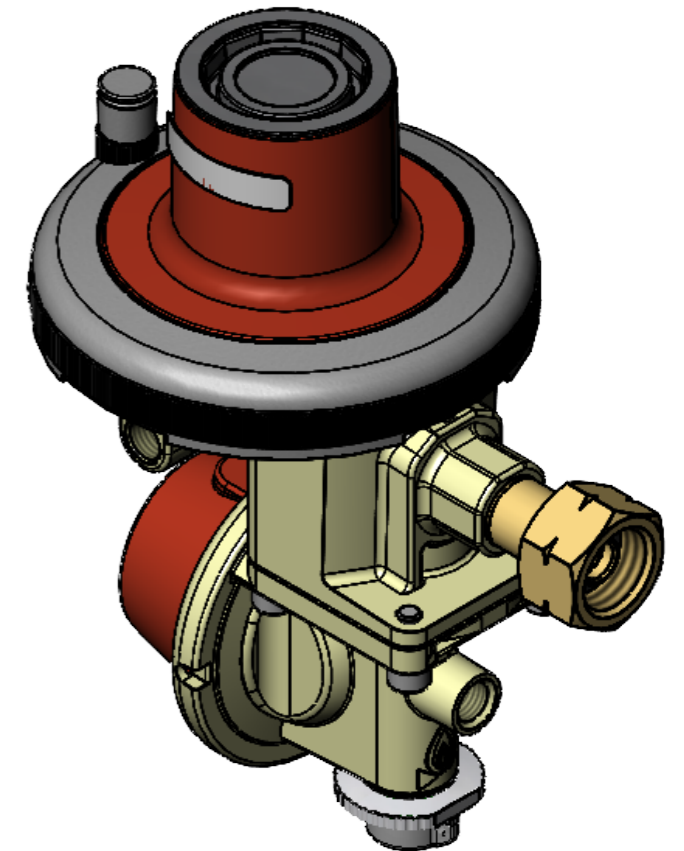
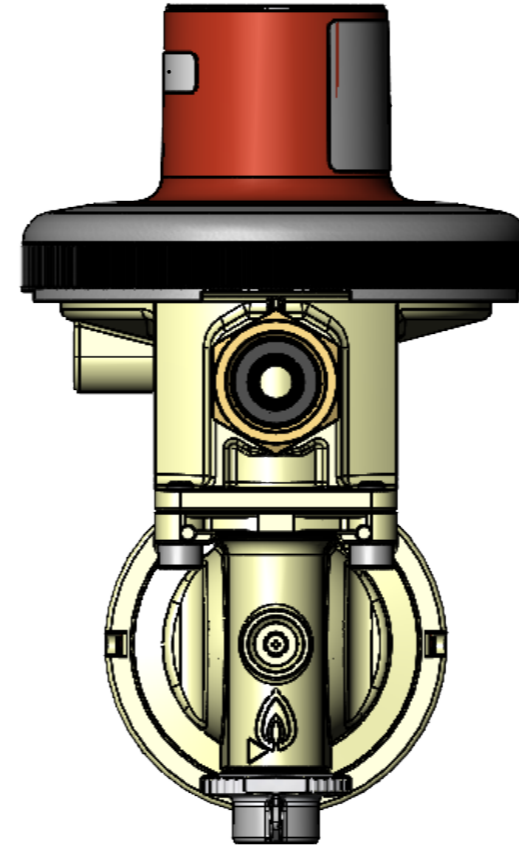
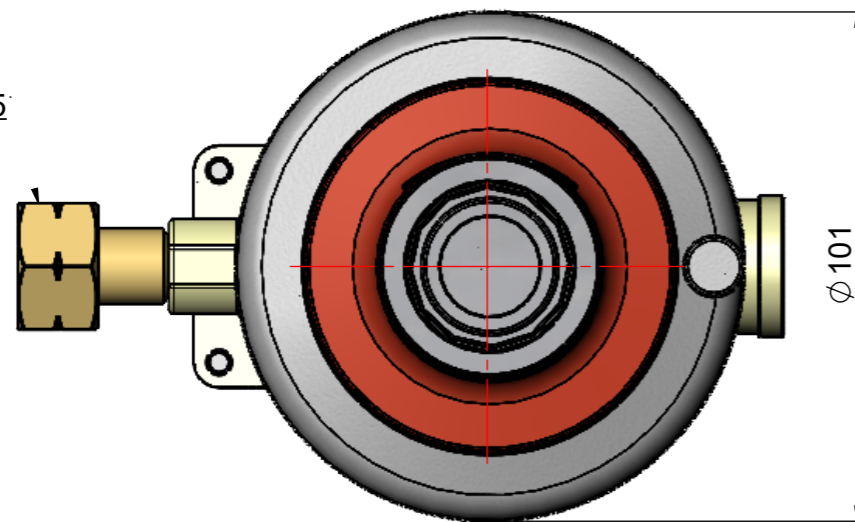


OPSO sans couvercle plastique

Système réarmement
OPSO



Ecrou CH.25



N°	REFERENCE	DESIGNATION	QTE
1	92006827BF	BP2203-OPSO W20 RC1/2 37MB.PRE	1
2	03530008	CAPUCHON M6 GRIS	1

13/09/2022	MAJ nomenclature + étiquette			Valid	AEP	DT3866	KTH
Date	Modifications			Status	Validated by	N° DT / OL	Modified by
Material	-						
Treatment							
Weight	1047.87 g	Design.	BA	Date	17/02/2014	Scale	1:1,5 A3
Designation	REG. BP2203G-OP W20-Rc1/2-37MB			Article code	006827BF		Ind D