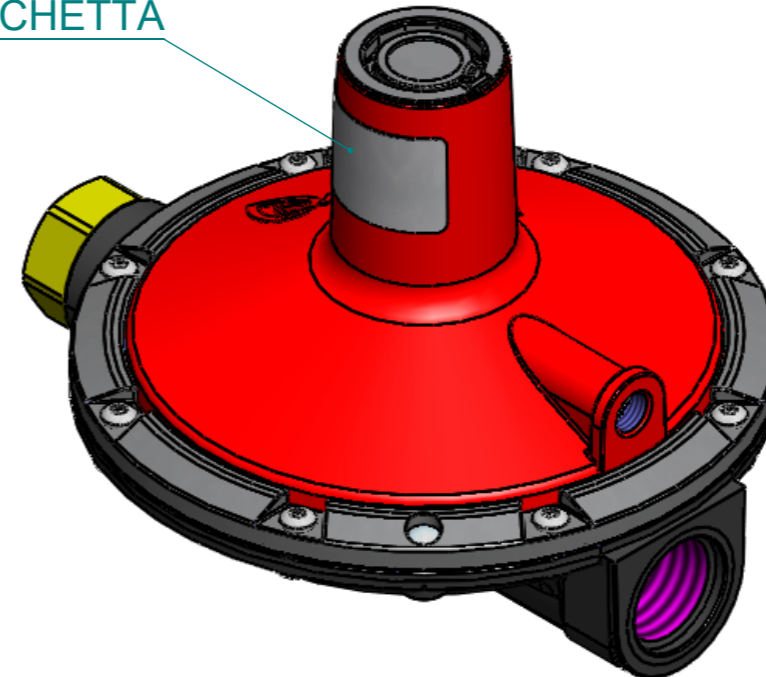



LABEL
ETICHETTA



| | | | | | |
|-------------|------------------------------------|---|--------------|--------------|-----------------|
| 14/03/2017 | Aggiornato OR 42530356 con 440UAN4 | Valid | BA | OL7622 | ST |
| Date | Modifications | Status | Validated by | N° DT / OL | Modified by |
| Material | |  | | | |
| Treatment | | | | | |
| Weight | 1513.64 g | Design. | ST | Scale | 1:5 A3 |
| Designation | REG.BP2403-30MB-Rc3/4-1" | | | Article code | 001100CA |
| | | | | | Ind B |