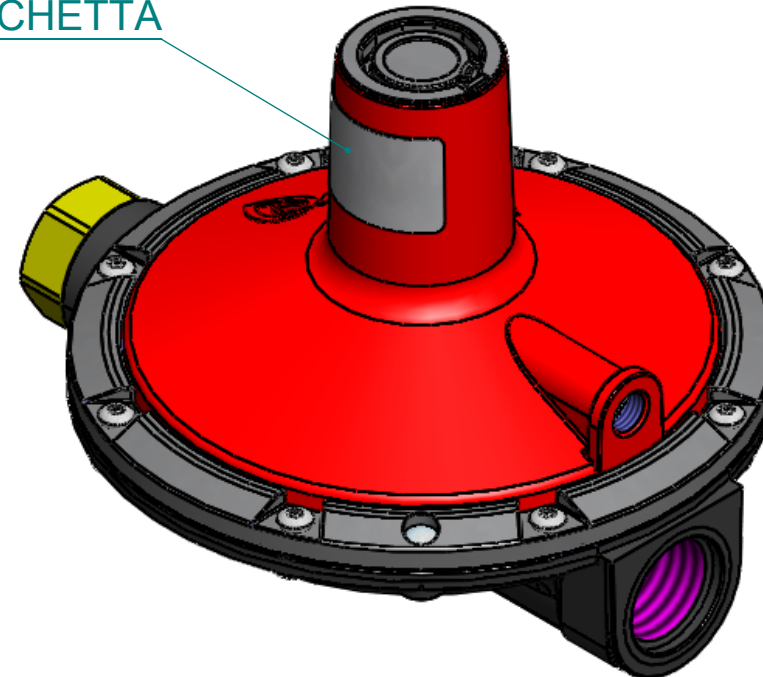



LABEL
ETICHETTA



14/03/2017	Aggiornato OR 42530356 con 440UAN4	Valid	BA	OL7622	ST
Date	Modifications	Status	Validated by	N° DT / OL	Modified by
Material					
Treatment					
Weight	1513.64 g	Design.	ST	Scale	1:5 A3
Designation	REG.BP2403-30MB-Rc3/4-1"			Article code	001100CA
					Ind B