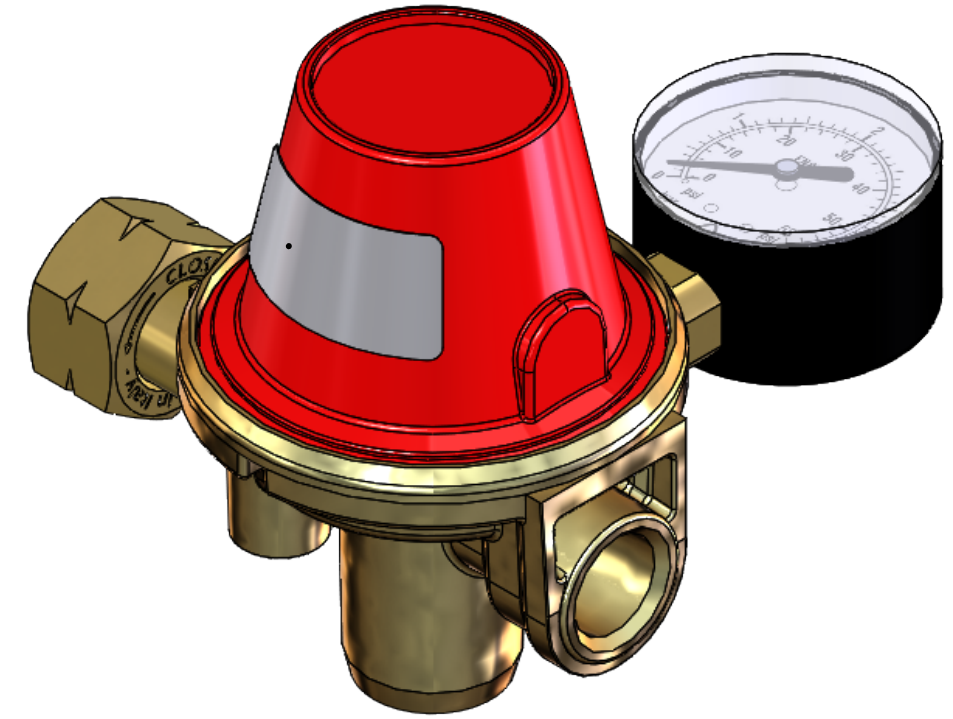
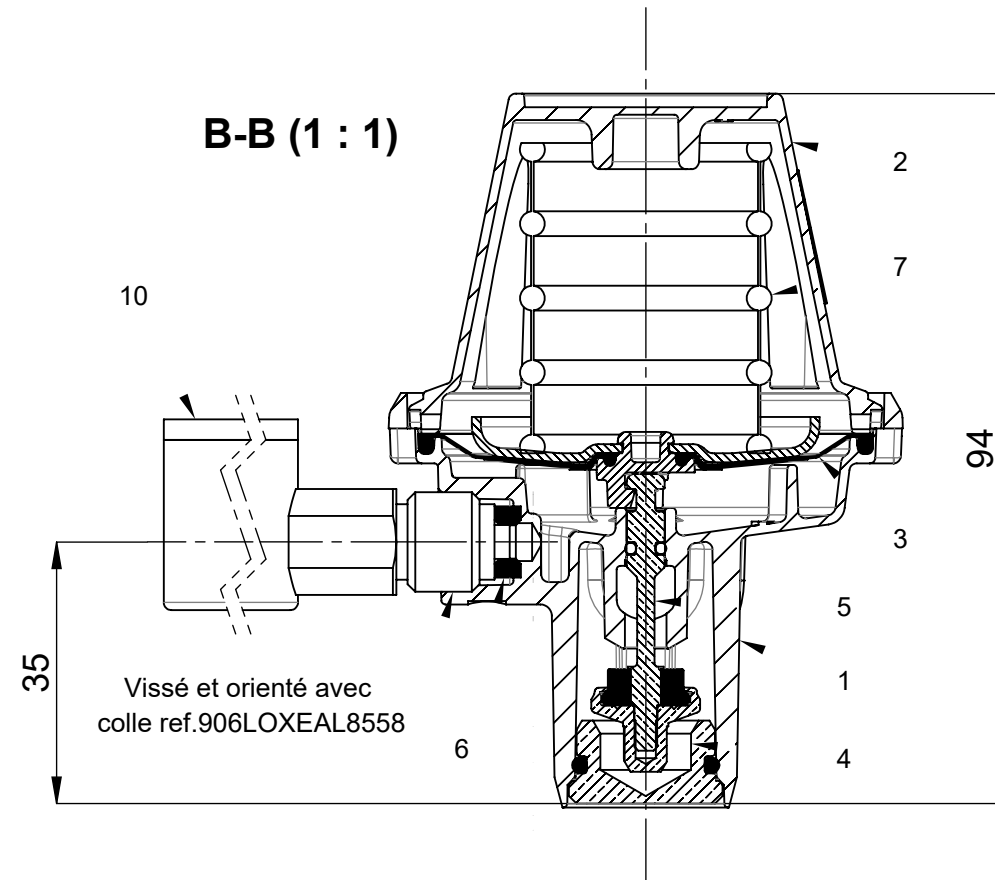
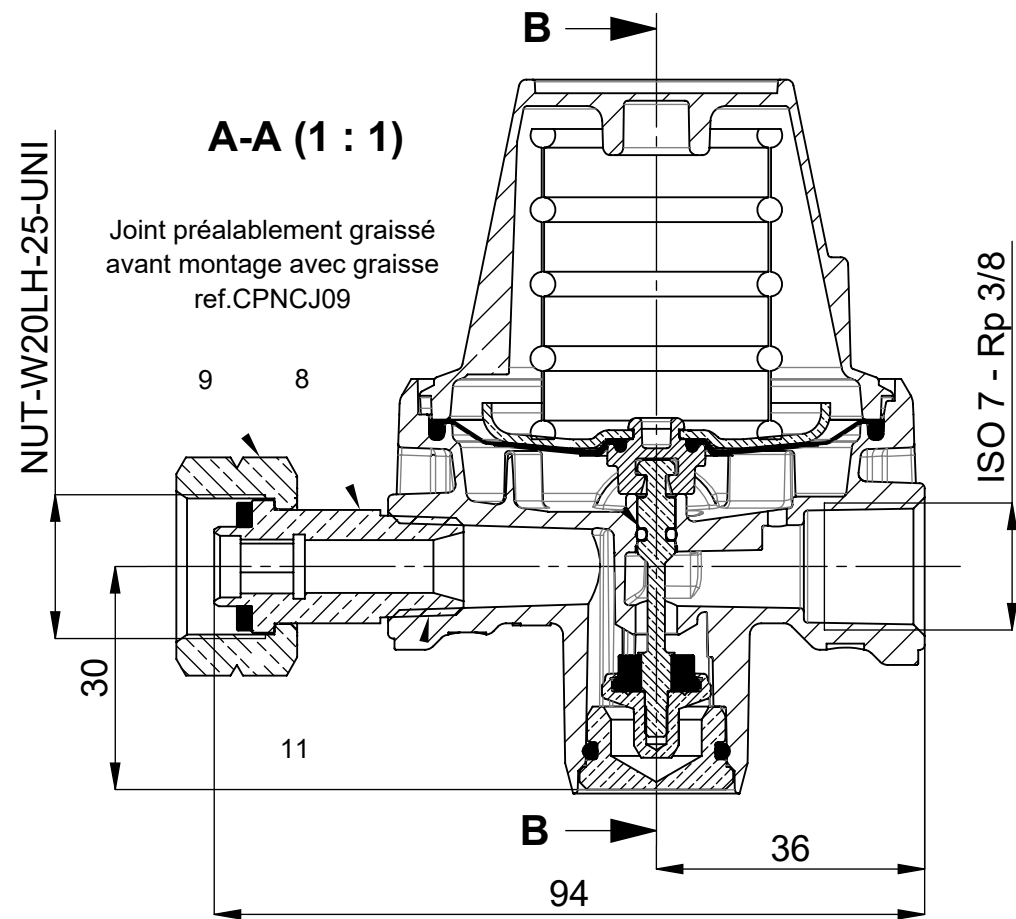
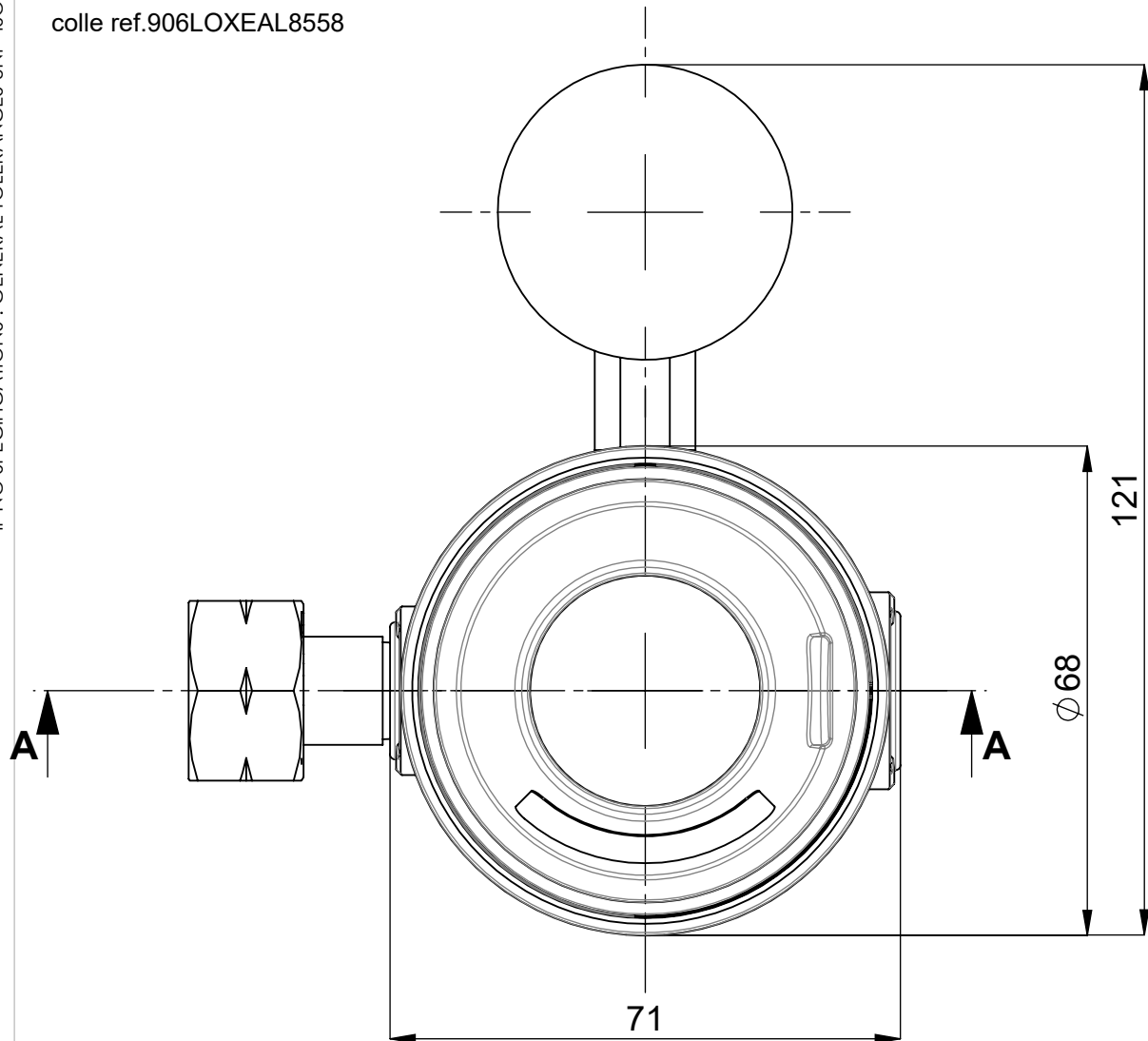


IF NO SPECIFICATIONS : GENERAL TOLERANCES UNI - ISO 2768-mH / THREADING CLASS A - 6H - 6g



Vissé à 40⁺⁵ N.m avec colle ref.906LOXEAL8558



| N° | REFERENCE | DESIGNATION | QTE |
|----|------------|----------------------------------|-----|
| 1 | 20417855_T | CORPS USI.APZ400 1/4-3/8 D.5,5 | 1 |
| 2 | 20617847_R | COPERCHIO LAV.RG.APZ400 TF.ROSSO | 1 |
| 3 | 70117822 | MEMBRANE PREM.APZ400 | 1 |
| 4 | 73817826 | BOUCHON PREMONTE APZ400 | 1 |
| 5 | 05330205 | PISTON PREMONTE APZ400 | 1 |
| 6 | 425G126 | JOINT EMBOUT MANOMETRE 1/4 | 1 |
| 7 | 02130103 | RESSORT DE DETENTE 30MBAR CV | 1 |
| 8 | 402UI081 | Iniettore A.P. D.17,5 (corto) | 1 |
| 9 | 420UD04 | DADO UNI W20X1/14"SIN. CH=25 | 1 |
| 10 | 49006901AP | MANO G1/4 4B 40MM DRY RAD. | 1 |
| 11 | 425UG101B | JOINT CAOUTCH. DIAM.17,5 | 1 |

| Création | | Study | | DT 3895 | FB |
|-------------|---------------------------------------|---------|--------------|--------------|-------------------|
| Date | Modifications | Status | Validated by | N° DT / OL | Modified by |
| Material | - | | | | |
| Treatment | - | | | | |
| Weight | 492 g | Design. | FB | Scale 1:1 | A3 |
| Designation | APZ400 W20 RP3/8 0,75B.PREFINI | | | Article code | 92002714AA |

Reproduction prohibited or reproduction rights reserved - we reserve the right to modify the informations contained herein at any time without notice