

## REGULATORS-LIMITERS-ADAPTERS-CHANGEOVERS-GOVERNORS-GROUPS

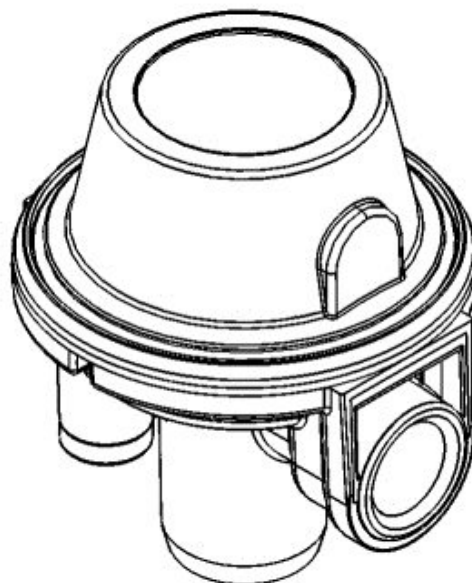
### GENERAL

**Product name :** APZ250  
**Article code :** 002307AC  
**Designation :** APZ250>E.W20>RP3/8 1,5B.

### TECHNICAL

**Inlet pressure :** 2-16 bar  
**Outlet pressure :** 1,5 bar  
**Flow rate :** 30 kg/h  
**Gas type :** LPG

Dimensions :	L (mm)	W (mm)	H (mm)	Weight
	88	126	80	500 g



### STANDARDS

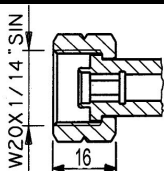
**Standard :** NF EN 13785  
**Certified by :**  
**Certif CE :**

### CONNECTIONS



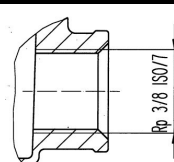
**Inlet :**

N1A - NUT-W20LH-25-UNI



**Outlet :**

F2C - FEM-RP3/8



### ACCESSORIES

**ACC1 :** Limited pressure relief valve Intervention between 3,5 and 4,5 bar  
**ACC2 :** Manometer range 0-4 bar  
**ACC3 :**  
**ACC4 :**  
**ACC5 :**

### FINISHING

**Cover color :** RED RAL2002 Painted  
**Body color :** Yellow Zinc Plated

### PRODUCT LABEL

NOVACOMET  
**APZ250**  
 VALVOLA DI SICUREZZA 4 bar  
 PRESSURE RELIEF VALVE 4 bar  
 1,5 bar  
 30 kg/h  
 BSP

**Final product status :** Valid  
**Final product index :** 0001  
**Date :** 06-11-2012