

REGULATORS-LIMITERS-ADAPTERS-CHANGEOVERS-GOVERNORS-GROUPS

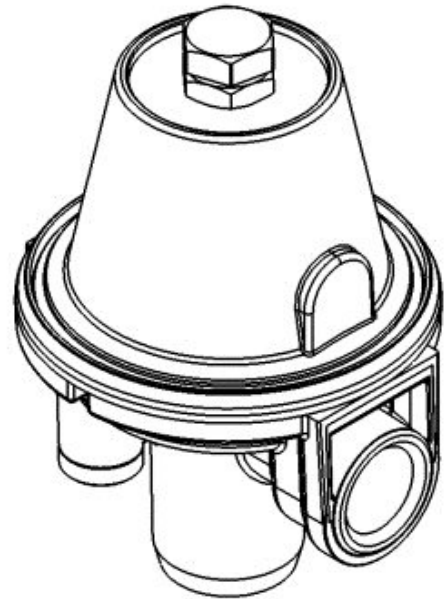
GENERAL

Product name : APZ250R
Article code : 002311AE
Designation : APZ250>E.W20>RP3/8 0,5-2B

TECHNICAL

Inlet pressure : 2,5-16 bar
Outlet pressure : (0,5-2) bar
Flow rate : 25-40 kg/h
Gas type : LPG

Dimensions :	L (mm)	W (mm)	H (mm)	Weight
	88	126	112	535 g



STANDARDS

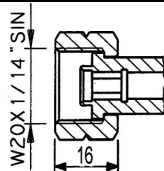
Standard : NF EN 13785
Certified by :
Certif CE :

CONNECTIONS



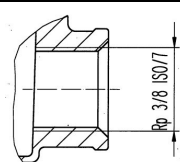
Inlet :

N1A - NUT-W20LH-25-UNI



Outlet :

F2C - FEM-RP3/8



ACCESSORIES

ACC1 : Limited pressure relief valve Intervention between 3,5 and 4,5 bar
ACC2 : Manometer range 0-4 bar
ACC3 :
ACC4 :
ACC5 :

FINISHING

Cover color : RED RAL2002 Painted
Body color : Yellow Zinc Plated

PRODUCT LABEL

NOVACOMET
APZ250
 VALVOLA DI SICUREZZA 4 bar
 PRESSURE RELIEF VALVE 4 bar
 0,5 - 2 bar
 25-40 kg/h BSP
 (04/11) GXXXXXX

Final product status : Valid
Final product index : 0001
Date : 06-11-2012