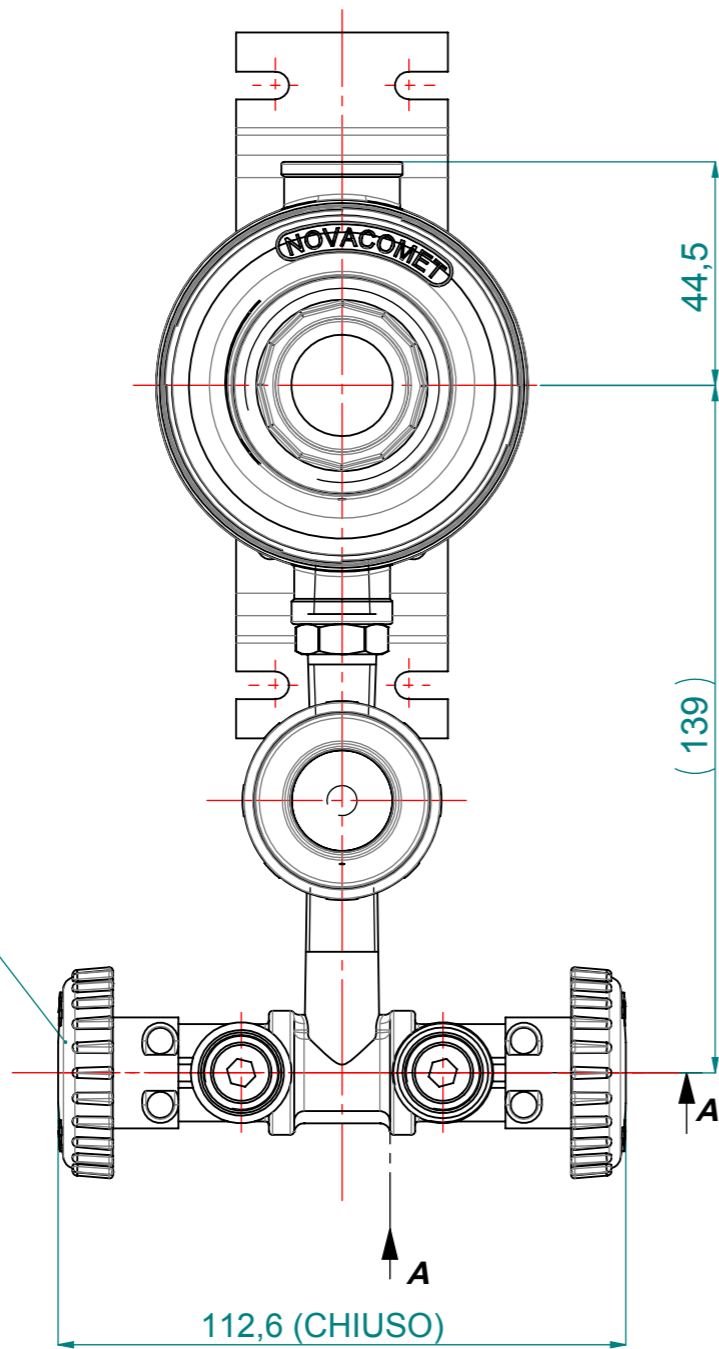
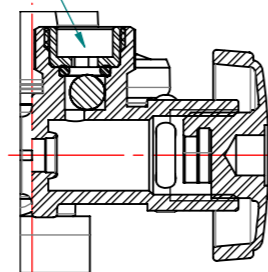


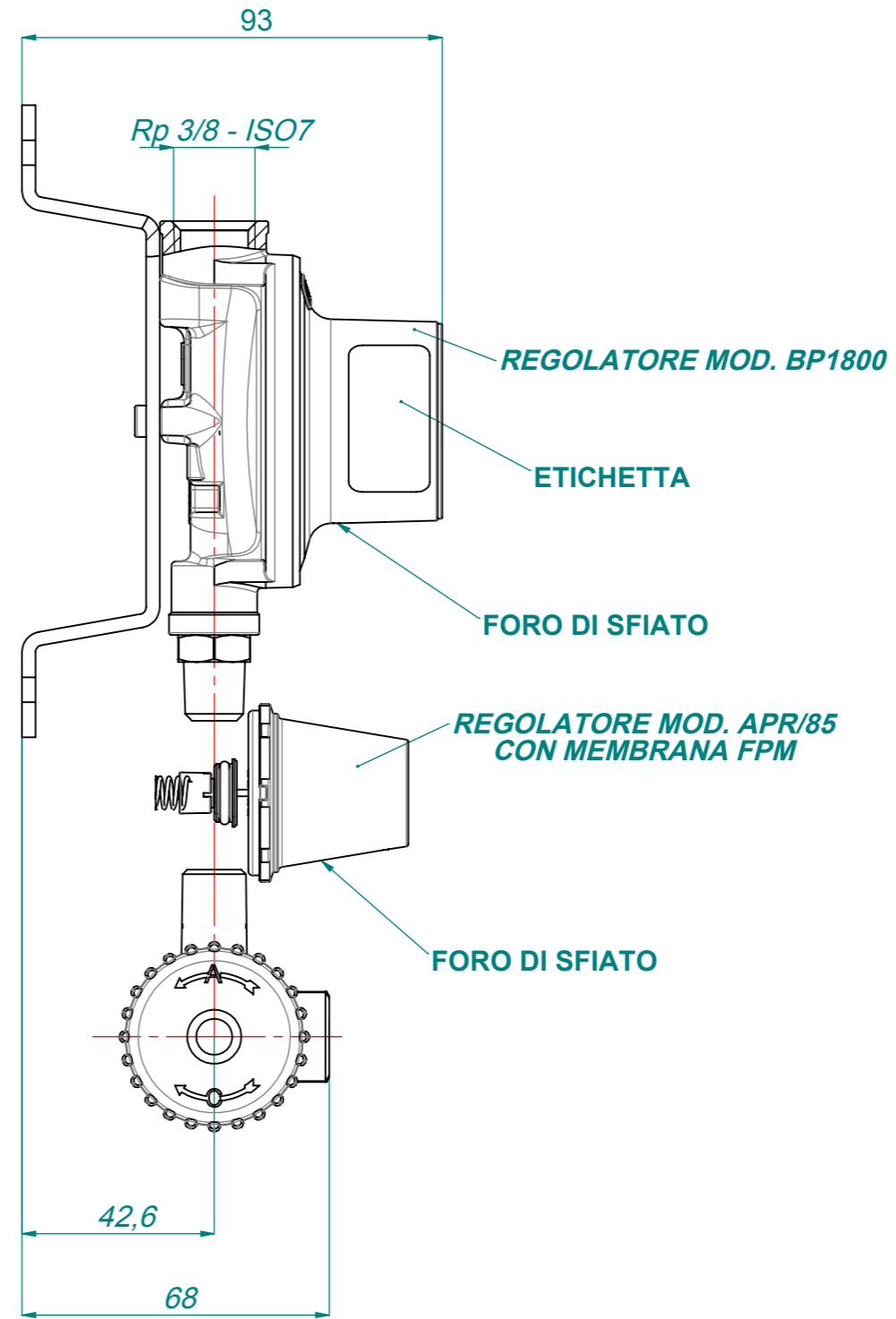
RUB. 2 VIE MINICENTRALINA





PART. VALVOLA DI NON RITORNO



Sezione A-A



Aggiornato APR85 con VITON; Aggiornato disegno				Study	OL7620	ST
Date	Modifications			Status	Validated by	N° DT / OL Modified by
Material	-					
Treatment				Date 18/09/2013		
Weight	723.80 g	Design.	Admin	Scale	1:0.5	A3
Designation	<b>MINICENT.W20-1803+APR85</b>			Article code	<b>006728AB</b>	
						Ind D
Reproduction prohibited or reproduction rights reserved - we reserve the right to modify the informations contained herein at any time without notice						