

REGULATORS-LIMITERS-ADAPTERS-CHANGEOVERS-GOVERNORS-GROUPS

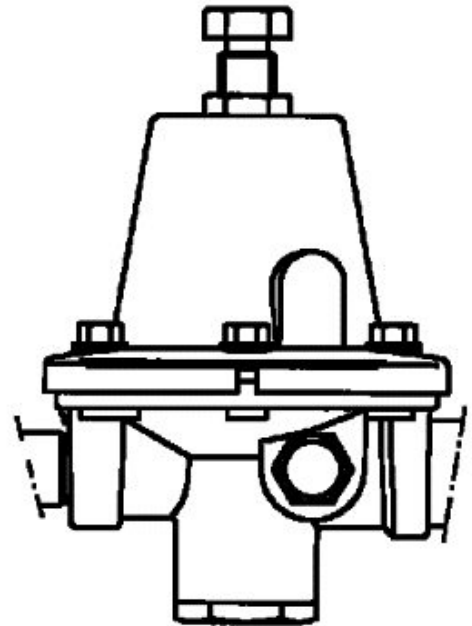
GENERAL

Product name : AP40R
Article code : 002834AA
Designation : AP40R>E.W20LH>F.RP3/8 0,5-2 BAR PRV

TECHNICAL

Inlet pressure : 2,5-16 bar
Outlet pressure : (0,5-2) bar
Flow rate : 20-40 kg/h
Gas type : Propane

Dimensions :	L (mm)	W (mm)	H (mm)	Weight
	103	123	117	750 g



STANDARDS

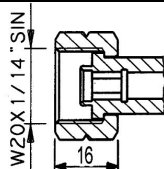
Standard : NF EN 13785
Certified by :
Certif CE :

CONNECTIONS



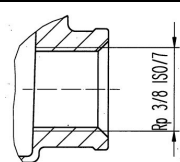
Inlet :

N1A - NUT-W20LH-25-UNI



Outlet :

F2C - FEM-RP3/8



ACCESSORIES

ACC1 : Manometer *range 0-4 bar*
ACC2 : Limited pressure relief valve *Intervention between 3,5 and 4,5 bar*
ACC3 :
ACC4 :
ACC5 :

FINISHING

Cover color : RED RAL2002 Painted
Body color : RED RAL2002 Painted

PRODUCT LABEL

NOVACOMET
 AP40R EN13785
 (Pd+0,5)+16 bar
 Pd=0,5+2bar ISO7
 20+40 kg/h Propano
 PRV= 4 bar (44/09)

Final product status : Valid
Final product index : A1
Date : 41219