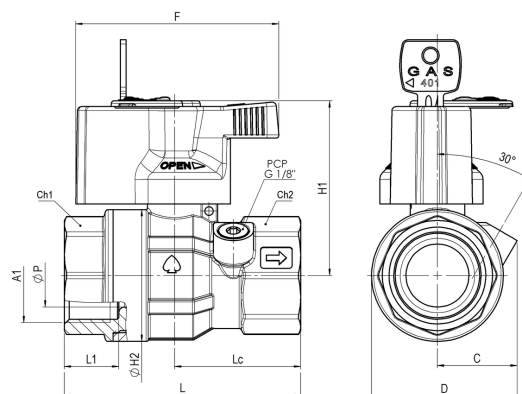


Internal system check ball valve UNI-7129 with 1 PCP with safety and arrearrage lock 401 to 460 FEMALE-FEMALE 65828400



Code	65828400075	65828400100
Kg	0,49	0,64
Box	0,49	0,64
Master Box	30	30
F	71	71
L	71	82,5
L1	16,3	19
A1	Rp3/4	Rp1
Combinazione	F-F	F-F
H1	59	61
ØH2	40	46
ØP	20	22
Lc	38	44
Ch1	ott.32	ott.38.5
Ch2	ott.32	ott.38.5
PN-MOP	--	--
PCP	G1/8	G1/8

cod.	401-460	401-460
------	---------	---------